
 For the following igus® series

E4.1

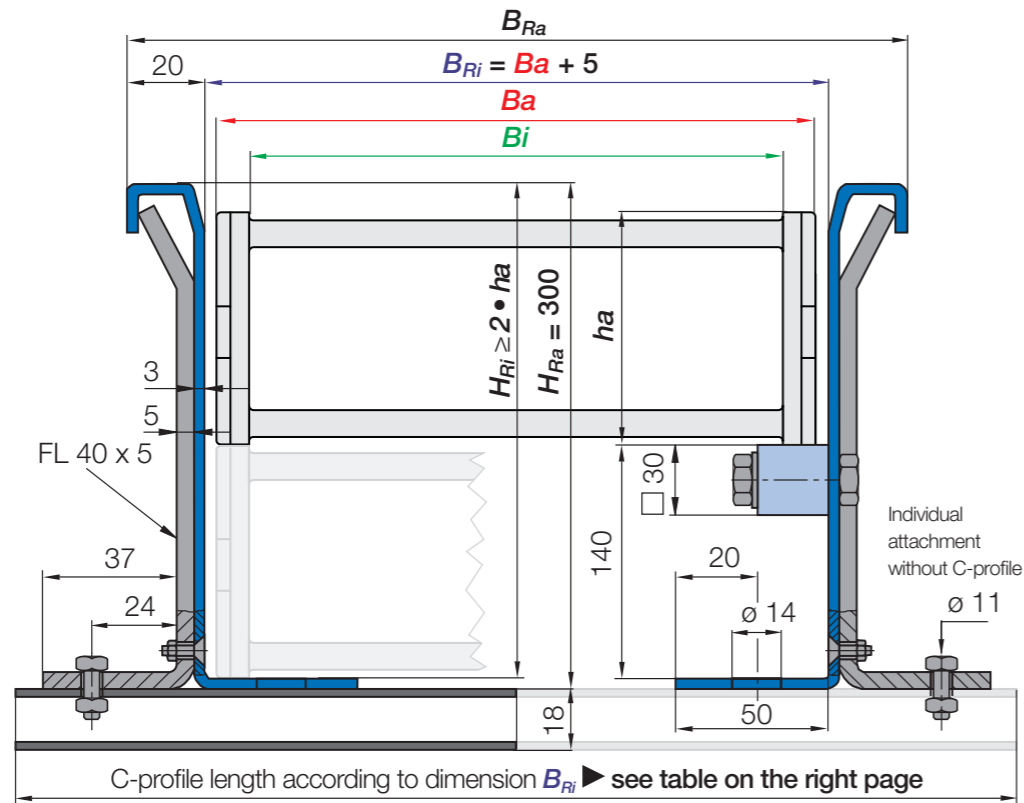
- E4.112/R4.112

E4/light

- 1640/R1608

 **Option:** with reinforced mounting angles for extremely demanding heavy-duty applications

Note: The inner width of the guide trough and the C-profile length of the installation set can differ according to the mounting bracket you choose. Please call us.



C-profile length according to dimension B_{Ri} ▶ see table on the right page

Steel guide trough | Full set

Trough side parts	Part No.	Weight
Trough side part, without glide bar, 2m section	98.30.E ¹⁾ / E44 ²⁾ / E45 ³⁾	≈ 17.30kg
Trough side part, with glide bar, bolted, 2m section	98.31.E ¹⁾ / E44 ²⁾ / E45 ³⁾	≈ 19.50kg
Installation sets	Part No.	Weight
1 installation set without C-profile	98.50	≈ 1.16kg
1 installation set with C-profile (C-profile length according to dimension B_{Ri})	98.50.XXX*	upon request

*Please add the C-profile length **XXX** as shown on the tables on the right page. Example: 98.50.350

Steel guide trough | Components as individual parts

Individual parts, trough	Part No.	Weight
1 trough side part, individual, 2m section	98.11.E ¹⁾ / E44 ²⁾ / E45 ³⁾	≈ 17.30kg
1 glide bar, plastic, individual, 2m section	93.01	≈ 1.68kg
1 glide bar, individual, 2m section + 11 screw sets	93.20	≈ 2.22kg
1 package with 11 screw sets (for glide bar, 2m section)	93.21	≈ 0.54kg
Individual parts, installation set	Part No.	Weight
1 clamping bracket, individual	98.51	≈ 0.52kg
1 countersunk-head screw, individual	92.05 / M8 x 20	
1 hexagon nut, individual	92.04 / M8	
1 hexagon-head screw, individual	92.55 / M10 x 16	
1 glide nut, individual	92.56 / M10	
1 C-profile, individual (C-profile length according to dimension B_{Ri})	92.52.XXX*.E ¹⁾	≈ 0.90kg/m
Additional option for simple fixing of the e-chain® without drilling	Part No.	Weight
1 set fixed end module (more information ▶ Page 1240)	98.80.01	≈ 34.60kg

*Please add the C-profile length **XXX** as shown on the tables on the right page. Example: 92.52.375.E

1) Trough side parts + C-profile - also available in 304 stainless steel, material 1.4301 (AISI 304). Please add index **E** to the Part No.

2) Trough side parts - also available in 316 stainless steel, material 1.4404 (AISI 316L). Please add index **E44** to the Part No.

3) Trough side parts - also available in 316 stainless steel, material 1.4571 (AISI 316Ti). Please add index **E45** to the Part No.

E4.112/R4.112			1640/R1608		
Width index	B_{Ri} [mm]	Part No. Installation set	Width index	B_{Ri} [mm]	Part No. Installation set
.05	107	98.50.225	.05	89	upon request
.06	122	98.50.250	.06	104	98.50.225
.07	132	98.50.250	.07	114	98.50.250
.10	157	98.50.275	.08	124	98.50.250
.11	169	98.50.300	.10	139	98.50.275
.12	182	98.50.300	.11	151	98.50.275
.13	194	98.50.325	.12	164	98.50.300
.15	207	98.50.325	.13	176	98.50.300
.16	219	98.50.350	.15	189	98.50.325
.17	232	98.50.350	.16	201	98.50.325
.18	244	98.50.375	.17	214	98.50.350
.20	257	98.50.375	.18	226	98.50.350
.21	269	98.50.400	.20	239	98.50.375
.22	282	98.50.400	.21	251	98.50.375
.23	294	98.50.425	.22	264	98.50.400
.25	307	98.50.425	.23	276	98.50.400
.26	319	98.50.450	.25	289	98.50.425
.27	332	98.50.450	.26	301	98.50.425
.28	344	98.50.475	.27	314	98.50.450
.30	357	98.50.475	.28	326	98.50.450
.31	369	98.50.500	.30	339	98.50.475
.32	382	98.50.500	.31	351	98.50.475
.33	394	98.50.525	.32	364	98.50.500
.35	407	98.50.525	.33	376	98.50.500
.36	419	98.50.550	.35	389	98.50.525
.37	432	98.50.550	.36	401	98.50.525
.38	444	98.50.575	.37	414	98.50.550
.40	457	98.50.575	.38	426	98.50.550
.41	469	98.50.600	.40	439	98.50.575
.42	482	98.50.600	.41	451	98.50.575
.43	494	98.50.625	.42	464	98.50.600
.45	507	98.50.625	.43	476	98.50.600
.46	519	98.50.650	.45	489	98.50.625
.47	532	98.50.650	.46	501	98.50.625
.48	544	98.50.675	.47	514	98.50.650
.50	557	98.50.675	.48	526	98.50.650
.51	569	98.50.700	.50	539	98.50.675
.52	582	98.50.700	.51	551	98.50.675
.53	594	98.50.725	.52	564	98.50.700
.55	607	98.50.725	.53	576	98.50.700
.60	657	98.50.775	.55	589	98.50.725
			.60	639	98.50.775



E4 e-chain® with several extension links for extreme fill weights, guided in igus® steel trough over long travel distances in rough seas